

WORKSHOP SPECIFICATIONS

# PLEXO<sup>3</sup>

IP 65 CABINETS



THE GLOBAL SPECIALIST IN ELECTRICAL  
AND DIGITAL BUILDING INFRASTRUCTURES



With their IP 65 weatherproof protection and optimised dimensions, Plexo<sup>3</sup> cabinets, from 2 to 4 x 18 modules, can be used for distribution up to 125 A.

The design of Plexo<sup>3</sup> cabinets makes them suitable for use in commercial or industrial applications, as well as in public and high-rise buildings.


The available accessories, including those for joining a multi-function sleeve, enable the Plexo<sup>3</sup> cabinet to be equipped with one or more flush-mounted Plexo mechanisms, P17 industrial sockets, and Osmoz control and signalling units.



# PLEXO<sup>3</sup> CABINETS

## CHARACTERISTICS

- Class II insulated cabinet
- IP 65 - IK09 weatherproof cabinets
- UV resistant (according to ISO 4892-2)
- Self-extinguishing: 650°C (cabinets supplied without terminal blocks)/ 750°C (cabinets supplied with terminal blocks)
- Conform to IEC 60439-3, IEC 60695-2-11 and IEC 62262 standards
- Colour
  - Box: light grey L750 A
  - Cover: dark grey RAL 7046/R746 A
  - Marker holder: blue, transparent (according to the type of cabinet)
- Rated operating and insulation voltage: 400 VAC-50/60 Hz
- Max. short-circuit current: 10 kA
- Max. permissible nominal current:
  - Cat. No 0 019 02/04/06 and 6 019 94/96 = 32 A
  - Cat. No 0 019 08 and 6 019 98 = 40 A
  - Cat. No 0 019 21/24 and 6 018 31/35 = 63 A
  - Cat. No 0 019 22/23/25 and 6 018 32/33/36 = 90 A
  - Cat. No 0 019 26/27 and 6 018 37/38 = 125 A

 The PEP (Product Environmental Profile) sheet is available in the Legrand E-catalogue

## PRODUCT RANGE

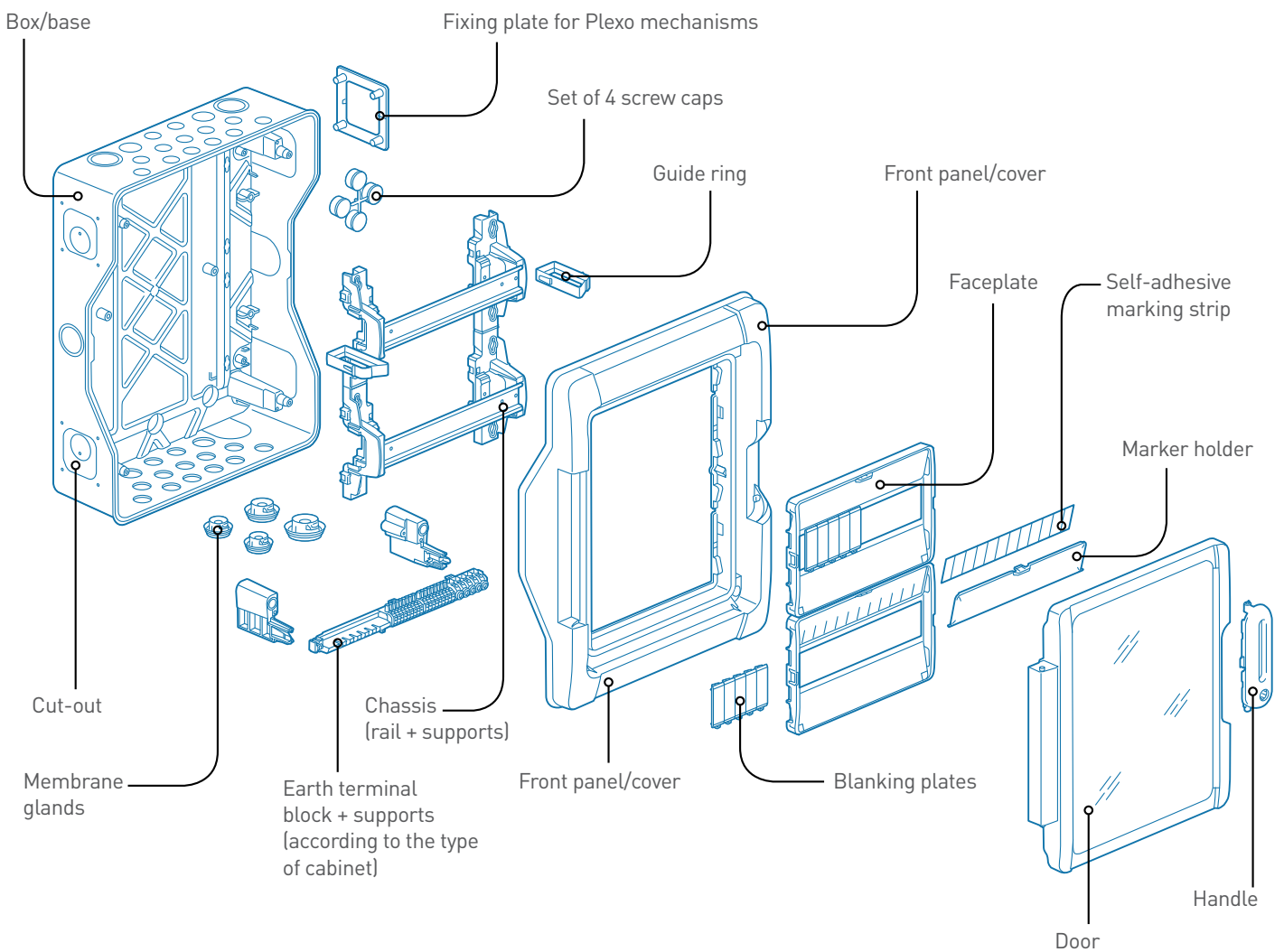
- The range comprises 11 sizes of cabinet:
- 2 to 8 modules with 1 row
  - 12 modules with 1 to 3 rows
  - 18 modules with 1 to 4 rows



NUMBER OF ROWS	NUMBER OF MODULES	CAT. NOS OF CABINETS		CAT. NOS OF MULTI-FUNCTION SLEEVES	
		cabinets supplied without terminal blocks	cabinets supplied with terminal blocks	vertical	horizontal
1	2 (+1)	0 019 02	-		
	4	0 019 04	6 019 94		
	6	0 019 06	6 019 96		
	8	0 019 08	6 019 98		
	12	0 019 21	6 018 31		0 019 19
	18	0 019 24	6 018 35		0 019 20
2	24 (2 x 12)	0 019 22	6 018 32	0 019 17	0 019 19
	36 (2 x 18)	0 019 23	6 018 33		0 019 20
3	36 (3 x 12)	0 019 25	6 018 36	0 019 18	0 019 19
	54 (3 x 18)	0 019 26	6 018 37		0 019 20
4	72 (4 x 18)	0 019 27	6 018 38		0 019 20

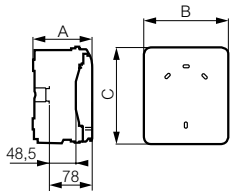
 The Plexo<sup>3</sup> range for photovoltaic applications has specific characteristics. These products are not covered in these workshop specifications. Details of this range can be found in the catalogue.

### SCHEMATIC VIEW OF A PLEXO<sup>3</sup> CABINET



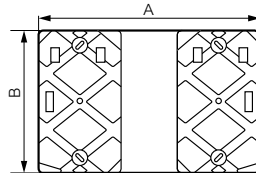
## DIMENSIONS

### 2, 4, 6 AND 8-MODULE CABINETS



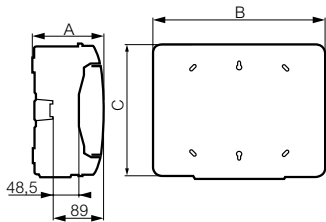
CAT. NO	DIMENSIONS (mm)		
	A	B	C
0 019 02	109	93	174
0 019 04/6 019 94	115.6	128	200
0 019 06/6 019 96	115.6	164	200
0 019 08/6 019 98	115.6	200	200

### HORIZONTAL MULTI-FUNCTION SLEEVES



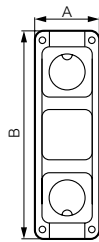
CAT. NO	DIMENSIONS (mm)	
	A	B
0 019 19	340	220
0 019 20	448	220

### 12 AND 18-MODULE CABINETS



CAT. NO	DIMENSIONS (mm)		
	A	B	C
0 019 21/6 018 31	141	340	282
0 019 22/6 018 32	161	340	432
0 019 23/6 018 33	161	340	622
0 019 24/6 018 35	141	448	282
0 019 25/6 018 36	161	448	432
0 019 26/6 018 37	161	448	622
0 019 27/6 018 38	161	448	822

### VERTICAL MULTI-FUNCTION SLEEVES



CAT. NO	DIMENSIONS (mm)		NO. OF POSITIONS
	A	B	
0 019 17	137	432	3
0 019 18	137	622	4

## PREPARATION OF THE CABINETS



Plexo<sup>3</sup> 2 to 8-module cabinets are supplied individually in cellophane packaging, and 12 and 18-module versions are supplied in cardboard packaging. The covers are supplied in place but not fixed. The doors of Plexo<sup>3</sup> cabinets are protected against scratches by a transparent film. The cardboard packaging can be re-used for dispatching the cabinet.



The front panel is removed by unscrewing the 4 screws using a Pozidriv no. 2 screwdriver. The recommended torque when replacing it is 2 Nm. These screws are stainless steel to provide excellent corrosion resistance.

## DELIVERY CONDITION OF PLEXO<sup>3</sup> CABINETS

CAT. NO	NUMBER OF IP 2X TERMINAL BLOCKS			NUMBER OF BLANKING PLATES	NUMBER OF GUIDE RINGS	FIXING KIT FOR PLEXO WIRING ACCESSORIES	BLANK SELF-ADHESIVE PAPER MARKER STRIP	MARKER HOLDER INTEGRATED IN THE FACEPLATES	CAPS FOR FIXING SCREWS
	Auto. terminals	Screw terminals							
	1.5 to 4 mm <sup>2</sup>	6 to 25 mm <sup>2</sup>	6 to 35 mm <sup>2</sup>	5 modules					
0 019 02	-	-	-	-	-	-	1 x 2 modules	NO	-
6 019 32	-	-	-	-	-	-	1 x 2 modules	NO	-
0 019 04	6	1	-	-	-	-	1 x 4 modules	YES	4
6 019 94	-	-	-	-	-	-	1 x 4 modules	NO	4
0 019 06	6	1	-	-	-	-	1 x 6 modules	YES	4
6 019 96	-	-	-	-	-	-	1 x 6 modules	NO	4
0 019 08	6	1	-	-	-	-	1 x 8 modules	YES	4
6 019 98	-	-	-	-	-	-	1 x 8 modules	NO	4
0 019 21	9	5	-	1	-	-	1 x 12 modules	YES	4
6 018 31	-	-	-	-	-	-	1 x 12 modules	NO	4
0 019 22	18	5	-	2	2	1	2 x 12 modules	YES	4
6 018 32	-	-	-	-	-	-	2 x 12 modules	NO	4
0 019 23	27	5	-	2	3	1	3 x 12 modules	YES	4
6 018 33	-	-	-	-	-	-	3 x 12 modules	NO	4
0 019 24	18	5	-	1	-	-	1 x 18 modules	YES	4
6 018 35	-	-	-	-	-	-	1 x 18 modules	NO	4
0 019 25	27	5	-	2	2	1	2 x 18 modules	YES	4
6 018 36	-	-	-	-	-	-	2 x 18 modules	NO	4
0 019 26	36	5	-	3	3	1	3 x 18 modules	YES	4
6 018 37	-	-	-	-	-	-	3 x 18 modules	NO	4
0 019 27	45	5	5	3	4	1	4 x 18 modules	YES	4
6 018 38	-	-	-	-	-	-	4 x 18 modules	NO	4



Earth terminal block: automatic connection terminals (depending on the type of cabinet)



Earth terminal block: screw terminals (depending on the type of cabinet)



5-module separable blanking plate



Guide ring

## DELIVERY CONDITION OF MULTI-FUNCTION SLEEVES

CAT. NO	HINGES	FIXING SCREWS FOR SOCKETS ON FRONT PANEL	CAPS FOR FIXING SCREWS
0019 17	2	{3 X 4} 12	4
0019 18	2	{4 X 4} 16	4
0019 19	-	-	4
0019 20	-	-	4



**ACCESSORIES FOR THE CABINET**

**JOINING KIT CAT. NO 0 019 67**

The joining kit, Cat. No 0 019 67, is used to join 2 cabinets of the same or different heights horizontally, or 2 cabinets of the same width vertically, or to join a vertical or horizontal multi-function sleeve to a Plexo<sup>3</sup> cabinet.

Joined cabinets or sleeves must also be fixed to the wall (see page 14).



This kit comprises 2 identical accessories which provide a 26 mm diameter feedthrough for cables while maintaining overall IP 65 protection.



There are 32 mm diameter cut-outs on the sides of the cabinets for fitting the joining accessories.

There are similar cut-outs on the sides of the vertical sleeves, and on the top and bottom of the horizontal sleeves.



Joining accessories enable cables to be run between 2 cabinets.



Cabinet joined to a vertical sleeve



Cabinet joined to a horizontal sleeve

**i** Two kits, Cat. No 0 019 67, must be used to join 18-module cabinets to a horizontal sleeve

**KIT FOR PLEXO WIRING ACCESSORIES CAT. NO 0 019 71**



Plexo<sup>3</sup> cabinets with at least 2 rows are supplied with 1 fixing plate for Plexo complete flush mounting wiring accessories. This accessory is available under Cat. No 0 019 71.



These cabinets have 4 rectangular cut-outs, 2 on each side, for fitting Plexo wiring accessories.





### FIXING ACCESSORIES FOR TERMINAL BLOCKS CAT. NO 0 019 72/73

One or two empty supports for terminal blocks can be added at the top or bottom of the cabinets, using accessories Cat. No 0 019 72 or 0 019 73.



Single support Cat. No. 0 019 72 for 1 or 2 row cabinets



Double support Cat. No 0 019 73 for 3 or 4 row cabinets

These accessories take empty supports for terminal blocks Cat. No 0 048 17 (12-module cabinets) and at. No 4 048 21 (18-module cabinets) on which empty screw terminal blocks Cat. Nos 0 048 01 to 0 048 07 can be installed.



### LOCK CAT. NO 0 019 66



Plexo<sup>3</sup> cabinets are supplied without a door lock. Lock Cat. No 0 019 66 is used to lock the door with a no. 850 key.



Different types of drive cam are used for 2 to 8-module cabinets and 12 to 18-module cabinets.

### SEALING KIT CAT. NO 0 019 68

The kit is used to seal access to the inside of the Plexo<sup>3</sup> cabinet. Its contents are used to seal 2 fixing screws on the front panel and several faceplates (up to 4 faceplates per kit)

The sealing kit is passed through the faceplate via a cut-out which must first be knocked out.



Sealing the screws on the front panel



Sealing the faceplates

### FIXING LUGS CAT. NO 0 019 69

The fixing lugs (4 per kit) are used to attach Plexo<sup>3</sup> cabinets to the wall using fixing points outside the enclosure. There is therefore no need to dismantle the cabinet.



The lugs can be positioned horizontally or vertically, apart from on the 2-module cabinet Cat. No 0 019 02.

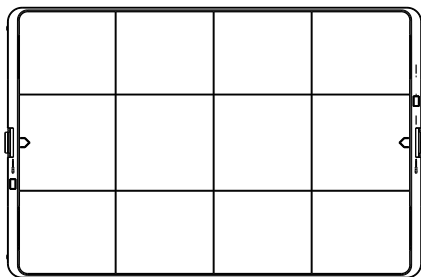
**SOLID FACEPLATES CAT. NO 0 019 64/65**

Solid faceplates, Cat. No 0 019 64 for 12-module cabinets (with 2 or more rows) and Cat. No 0 019 65 for 18-module cabinets (with 2 or more rows), are used to hide non-modular devices mounted on perforated plates and make it possible to flush mount devices.



Usable dimensions:

CAT. NO	WIDTH	HEIGHT
0 019 64	215	145
0 019 65	324	145



**PERFORATED PLATES CAT. NO 0 019 62/4 018 53**

Perforated plates, Cat. No 0 019 62 for 12-module cabinets and Cat. No 4 018 53 for 18-module cabinets, are used to fix non-modular products.

The plate is fitted in place of a modular rail and its supports in 12/18-module cabinets with more than 2 rows.



The cabinet chassis has to be cut.



The plate is fixed at the back of the cabinet using the screws provided, or re-using the chassis fixing screws.



M6 clip nuts Cat. No 0 200 96 must be used to fix products on the perforated plate.

The usable space between the perforated plate and the solid faceplate is 91 mm.

**HINGES CAT. NO 0 019 70**



The hinge kit, comprising 2 parts, is used to join the front panel of the Plexo<sup>3</sup> cabinet to the back, so that it is easier to access the inside of the cabinet quickly.



These hinges enable the front panel to be opened to an angle of 180°.

## USING THE CABINETS

### RUNNING THE CABLES

#### ■ Cable entries

Plexo<sup>3</sup> cabinets have identical pre-cut isometric knockouts on the top and bottom for fitting ISO membrane glands or cable glands.

On one of the two surfaces, the 20 mm and 25 mm diameter knockouts are fitted with piercable membrane glands. These membrane glands are removable and can be replaced with the same membrane gland or with a cable gland.



CAT. NOS	NUMBER OF PRE-CUT KNOCKOUTS ON THE TOP			NUMBER OF KNOCKOUTS FITTED WITH PIERCABLE MEMBRANE GLANDS ON THE BOTTOM		
	Ø 20 mm	Ø 25 mm	Ø 32 mm	Ø 20 mm	Ø 25 mm	Ø 32 mm
0 019 02	2	-	-	2*	-	-
0 019 04/6 019 94	2	1	-	2	1	-
0 019 06/6 019 96	4	1	-	4	1	-
0 019 08/6 019 98	6	1	-	6	1	-
0 019 21/6 018 31	7	2	2	7	2	2*
0 019 22/6 018 32	13	2	2	13	2	2*
0 019 23/6 018 33	13	2	2	13	2	2*
0 019 24/6 018 35	12	2	3	12	2	3*
0 019 25/6 018 36	13	4	3	13	4	3*
0 019 26/6 018 37	13	4	3	13	4	3*
0 019 27/6 018 38	13	4	3	13	4	3*

The membrane glands maintain the IP65 protection of the Plexo<sup>3</sup> cabinet, without affecting the IK09 protection.

The membraneglandkit, Cat. No 0 019 55, comprises the following items:

- 2 x 32 mm ISO membrane glands - for Ø 12 to 25 mm cable
- 5 x 25 mm ISO membrane glands - for Ø 9 to 18 mm cable
- 10 x 20 mm ISO membrane glands - for Ø 4 to 13 mm cable



The 32 mm diameter cut-outs on the sides can also take piercable membrane glands.

\* Membrane glands not fitted, supplied in the cabinet

#### ■ Fixing the cables



Cabinets with 2 or more rows are supplied with guide rings for keeping the cables tidy.



The cables can also be fixed at the back of the cabinet using Colring cable ties up to 7.6 mm.

**MOUNTING MODULAR AND MOULDED CASE PRODUCTS**



The rails with 2 adjustable depth positions, with a 150 mm space between them, can take DIN rail equipment and DPX<sup>3</sup> 160 MCCBs.



MCCBs and DIN rail equipment can be installed on the same rail using the height spacer Cat. No 0 262 99.

**ACCESSORIES FOR SLEEVES**



Multi-function sleeves are joined to 12 and 18-module cabinets using the joining kit, Cat. No 0 019 67 (see page 6).

- Vertical sleeves have 3 or 4 identical positions.



Each position is equipped with a blanking plate on which two Osmoz control units, or equivalent, can be fixed.



If this blanking plate is removed, a P17 socket industrial up to 32 A with standard fixing centres or Plexo flush-mounting mechanism can be fitted.

A rail can be fixed at the back of the cabinet in order to install a terminal block, for example.

- Horizontal sleeves have 2 or 3 empty positions with no blanking plates.



Each position can take 220 x 125 P17 faceplates, on which 16/32 A and 63 A P17 socket outlets with standard fixing centres can be installed:

- Faceplate Cat. No 0 577 12 → P17 - 16 A
- Faceplate Cat. No 0 577 13 → P17 - 16 A or 32 A
- Faceplate Cat. No 0 577 17 → P17 - 63 A
- Faceplate Cat. No 0 577 15 → P17 - 16 A to 63 A after drilling the faceplate

- A vertical sleeve Cat. No 0 019 17 can be joined to a cabinet with 3 rows

- i** • The vertical sleeve used with a 2-row cabinet has 3 positions
- The vertical sleeve used with a 3-row cabinet has 4 positions
- The horizontal sleeve used with a 12-module cabinet has 2 positions
- The horizontal sleeve used with an 18-module cabinet has 3 positions



## DISTRIBUTION SYSTEMS

Plexo<sup>3</sup> cabinets can take all standard and optimised distribution systems up to 125 A, depending on the size of the cabinet.

### ■ Distribution using IP2X insulated terminal blocks

An IP 2X terminal block can be fitted in 2 to 8-module Plexo<sup>3</sup> cabinets via its lugs and the knockouts in the base of the cabinet. IP 2X insulated terminal blocks can be fixed directly on the rails in the Plexo<sup>3</sup> cabinet, or on a 12 x 2 bar.



### ■ Modular distribution blocks

40 A to 125 A single pole, 2-pole or 4-pole modular distribution blocks, with insulation voltage up to 500 V, can easily be used in Plexo<sup>3</sup> cabinets.



■ Single phase horizontal distribution using 63 A HX<sup>3</sup> single pole supply busbars for cabinets with 2 to 3 rows (for cabinets with 4 rows, two 2-row supply busbars Cat. No 4 050 03 must be used).



### ■ Conventional HX<sup>3</sup> prong type busbars for screw terminals

Conventional HX<sup>3</sup> busbars (from 2 to 4 poles) can be used to supply a row or a group of modular devices with screw terminals. Only products with 1 module per pole and no auxiliary block can be connected to these busbars.

■ Single phase and 4-pole VX<sup>3</sup> vertical distribution up to 63 A

- Single phase vertical supply busbars with 150 mm fixing centres and 4 poles integrate perfectly in Plexo<sup>3</sup> cabinets. Their optimised dimensions provide more space for quick, reliable distribution from one row to another.



- The 4-pole supply busbar is equipped with automatic output terminals. Distribution is possible via flexible wires, with or without membrane glands. The power supply to this busbar can be provided from the top or the bottom via screw terminals. Their dimensions and fixing system provide a maximum amount of space on the modular rails or at the back of the cabinet.

**i** Working on the 4-pole vertical supply busbar is prohibited when it is energised.

### REMOVABLE CHASSIS AND RAILS

Cabinets with 1 row and 2 to 18 modules have a rail fixed to the structure of the cabinet.

Cabinets with 2, 3 and 4 rows have a removable chassis which enables wiring to be carried out outside the cabinet and makes wall fixing easier. This chassis is removed by loosening the screws and sliding it upwards.

The chassis is held on the structure of the cabinet by 4 screws.



The 4-row cabinet has two 2-rail chassis.

### REVERSIBLE DOOR

The doors of 2 to 8-module cabinets have a horizontal axis of rotation and are fitted with a brake which holds the door open.

The doors of 12 and 18-module cabinets have a vertical axis of rotation.

With an opening angle of more than 180°, the doors provide total access to the cabinet.



The direction of opening of the doors of Plexo<sup>3</sup> cabinets can be reversed by turning round the front panel of the cabinet.

### MARKING THE FACEPLATES

For cabinets with 2 or more rows, the faceplates have a marking system to make sure they are placed on the correct row.



Copy the number engraved on the back of the faceplate onto the front panel using an indelible marker.

## FIXING THE CABINETS

To ensure IP 65 protection of the cabinets, they must be installed on a vertical support.

There is a pre-drilled hole on the top and bottom of the cabinets for draining any condensation, according to the location and the external stresses.

■ All Plexo<sup>3</sup> cabinets have 2 fixing methods via the inside of the cabinet:

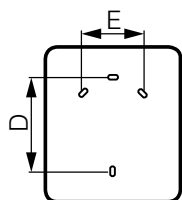
- Fixing via central point: this hanging fixing method ensures that the cabinet is vertical, with 1 centred point at the top and 2 points at the bottom (except for 2 and 4-module cabinets)
- Fixing via 4 adjustable points.

The max. screw diameter for each fixing point is 6 mm.

All cabinets, apart from Cat. No 0 019 02, are supplied with a set of 4 screw caps. Once the cabinet is fixed on the wall, fitting these screw caps maintains the IP protection and class II insulation of the cabinet.

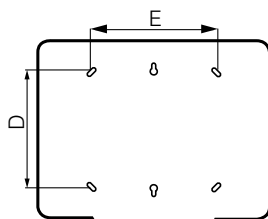


### 2, 4, 6 and 8-module cabinets



CAT. NO	DIMENSIONS (mm)	
	D	E
0 019 02	94	-
0 019 04//6 019 94	120	-
0 019 06//6 019 96	120	70
0 019 08//6 019 98	120	106

### 12 and 18 module cabinets



CAT. NO	DIMENSIONS (mm)	
	D	E
0 019 21//6 018 31	180	180
0 019 22//6 018 32	330	180
0 019 23//6 018 33	480	180
0 019 24//6 018 35	180	288
0 019 25//6 018 36	330	290
0 019 26//6 018 37	480	290
0 019 27//6 018 38	680	290



■ External fixing lugs Cat. No 0 019 69 can also be used:



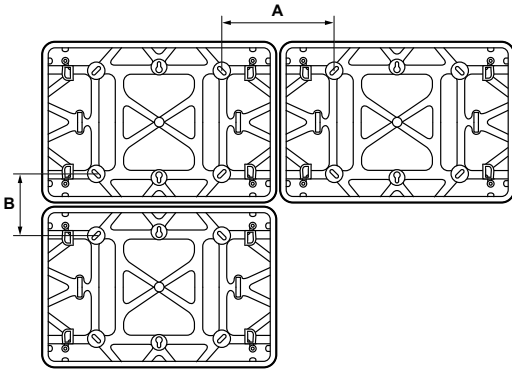
For the 2 (+1) module cabinet, the fixing lugs are fitted vertically.



For cabinets with more than 2 modules, and for multi-function sleeves, the lugs can be fitted vertically or horizontally.



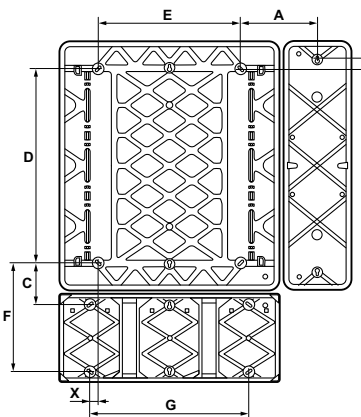
## Joined cabinets



TYPE OF CABINET	HORIZONTAL JOINING		A (mm)
	CABINET 1	CABINET 2	
1-row cabinets	0 019 21/6 018 31	0 019 21/6 018 31	164
		0 019 24/6 018 35	163
2-row cabinets	0 019 22/6 018 32	0 019 22/6 018 32	165
		0 019 25/6 018 36	164
3-row cabinets	0 019 23/6 018 33	0 019 23/6 018 33	165
		0 019 26/6 018 37	164

TYPE OF CABINET	VERTICAL JOINING		B (mm)
	CABINET 1	CABINET 2	
12-module cabinets	0 019 21/6 018 31	0 019 21/6 018 31	108
		0 019 22/6 018 32	108
		0 019 23/6 018 33	128
	0 019 22/6 018 32	0 019 21/6 018 31	108
		0 019 22/6 018 32	108
		0 019 23/6 018 33	128
	0 019 23/6 018 33	0 019 21/6 018 31	128
		0 019 22/6 018 32	128
		0 019 23/6 018 33	148
18-module cabinets	0 019 24/6 018 35	0 019 24/6 018 35	108
		0 019 25/6 018 36	108
		0 019 26/6 018 37	128
	0 019 25/6 018 36	0 019 27/6 018 38	128
		0 019 24/6 018 35	108
		0 019 25/6 018 36	108
	0 019 26/6 018 37	0 019 26/6 018 37	128
		0 019 27/6 018 38	128
		0 019 24/6 018 35	128
	0 019 27/6 018 38	0 019 25/6 018 36	128
		0 019 26/6 018 37	148
		0 019 27/6 018 38	149
	0 019 27/6 018 38	0 019 24/6 018 35	128
		0 019 25/6 018 36	128
		0 019 26/6 018 37	149
	0 019 27/6 018 38	0 019 27/6 018 38	149
		0 019 24/6 018 35	128
		0 019 25/6 018 36	128

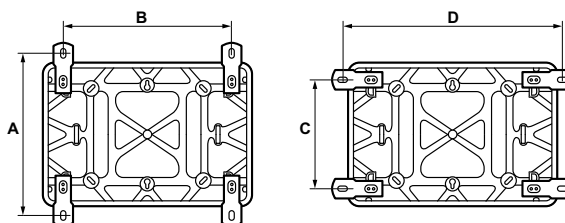
## Cabinets with sleeves



CONFIGURATION		A	B	C	D	E	F	G	X	Y
2 x 12-module cabinet	0 019 22/6 018 32									
2-row vertical sleeve	0 019 17	155	340	89	330	180	254	215	17	0
12-module horizontal sleeve	0 019 19									
3 x 12-module cabinet	0 019 23/6 018 33									
3-row vertical sleeve	0 019 18	155	340	109	480	180	274	215	17	19
12-module horizontal sleeve	0 019 19									
2 x 18-module cabinet	0 019 25/6 018 36									
2-row vertical sleeve	0 019 17	154	530	89	330	290	254	323	16	0
18-module horizontal sleeve	0 019 20									
3 x 18-module cabinet	0 019 26/6 018 37									
3-row vertical sleeve	0 019 18	154	530	109	480	290	274	323	16	20
18-module horizontal sleeve	0 019 20									
4 x 18-module cabinet	0 019 27/6 018 38									
2-row vertical sleeve	0 019 17	155	530	109	680	290	274	323	16	0
18-module horizontal sleeve	0 019 20									
4 x 18-module cabinet	0 019 27/6 018 38									
3-row vertical sleeve	0 019 18	155	530	109	680	290	274	323	16	20
18-module horizontal sleeve	0 019 20									

## Fixing using external lugs

### Cabinets only

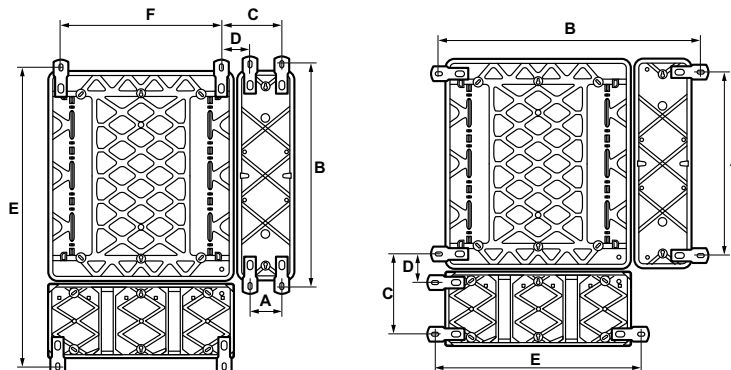


TYPE OF CABINET	CAT. NO	LUGS FITTED VERTICALLY		LUGS FITTED HORIZONTALLY	
		A (mm)	B (mm)	C (mm)	D (mm)
2 + 1-module cabinet	0 019 02	192	39	Not possible	
4-module cabinet	0 019 04	218	64	132	150
6-module cabinet	0 019 06	218	100	132	186
8-module cabinet	0 019 08	218	136	132	175
12-module cabinet	0 019 21/6 018 31	301	273	215	357
	0 019 22/6 018 32	450	271	365	357
	0 019 23/6 018 33	640	271	555	357
18-module cabinet	0 019 24/6 018 35	301	379	215	465
	0 019 25/6 018 36	450	379	365	465
	0 019 26/6 018 37	640	379	555	465
	0 019 27/6 018 38	841	379	755	465



The diameter of the holes for the fixing lug screws is 8 mm.

### Cabinets with sleeves



CONFIGURATION		LUGS FITTED VERTICALLY						LUGS FITTED HORIZONTALLY				
		A	B	C	D	E	F	A	B	C	D	E
2 x 12-module cabinet	0 019 22/6 018 32											
2-row vertical sleeve	0 019 17	71	452	145	74	684	282	336	502	235	73	368
12-module horizontal sleeve	0 019 19											
3 x 12-module cabinet	0 019 23/6 018 33											
3-row vertical sleeve	0 019 18	71	642	143	72	875	282	556	502	235	73	368
12-module horizontal sleeve	0 019 19											
2 x 18-module cabinet	0 019 25/6 018 36											
2-row vertical sleeve	0 019 17	71	452	145	74	684	390	336	610	235	73	476
18-module horizontal sleeve	0 019 20											
3 x 18-module cabinet	0 019 26/6 018 37											
3-row vertical sleeve	0 019 18	71	642	143	72	875	390	556	611	235	73	476
18-module horizontal sleeve	0 019 20											
4 x 18-module cabinet	0 019 27/6 018 38											
2-row vertical sleeve	0 019 17	71	642	146	75	1075	390	336	611	235	73	476
18-module horizontal sleeve	0 019 20											
4 x 18-module cabinet	0 019 27/6 018 38											
3-row vertical sleeve	0 019 18	71	452	146	75	1075	390	556	611	235	73	476
18-module horizontal sleeve	0 019 20											



## FOLLOW US ALSO ON

@ [www.legrand.com](http://www.legrand.com)

 [www.youtube.com/legrand](http://www.youtube.com/legrand)

 [twitter.com/legrand\\_news](http://twitter.com/legrand_news)



**Head office**  
and International Department  
87045 Limoges Cedex - France  
Tel.: + 33 (0) 5 55 06 87 87  
Fax: + 33 (0) 5 55 06 74 55