

PMA - PTA



PRESSURE SWITCHES FOR AIR COMPRESSORS PMA/12 - PTA/12 PMA/12RP - PTA/12RP

- Pressure switches for use with air compressors
- The switch ensures automatically starting and stopping of the compressor according to the preset pressure values
- Electrical contacts: normally closed, made of brass alloy with Ag-Ni surfacing
- Terminals with M4 screws and 8x8 mm pressure dice
- Oil-resistant NBR rubber membrane with textile insert
- 1/4" F galvanised steel hydraulic connection
- Standard protection degree IP 44
- Max ambient temperature 55°C
- Tear resistant cable clamps
- Cover with on/off button
- Air-relief valve for 6 mm diameter pipe with delayed closing system for model PMA single phase, and with instant-closing action for model PTA three phase

APPLICATIONS: Pressure switches for air compressors



TECHNICAL DATA

PMA/12 PTA/12

Pressure range: 3 - 12 bar 3 - 12 bar

Factory setting: 6 - 8 bar 6 - 8 bar

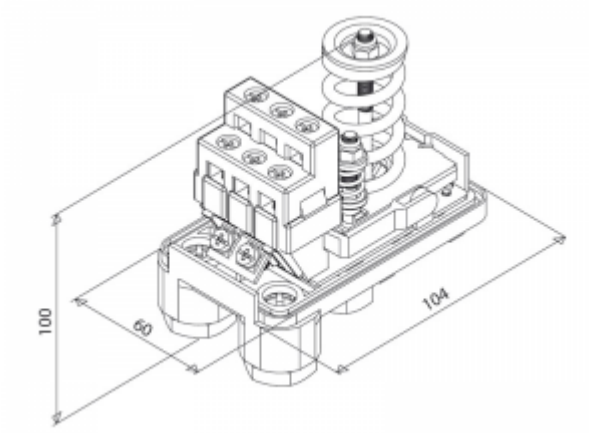
Min differential: 1.5 bar 1.5 bar

Max differential: 5 bar 5 bar

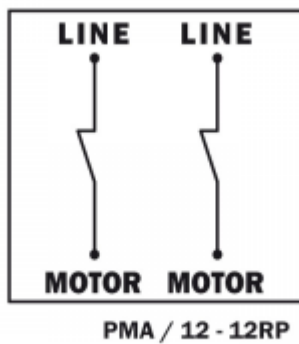
Rated current: 16A (10A) 16A (10A)

Rated voltage: 250V 500V

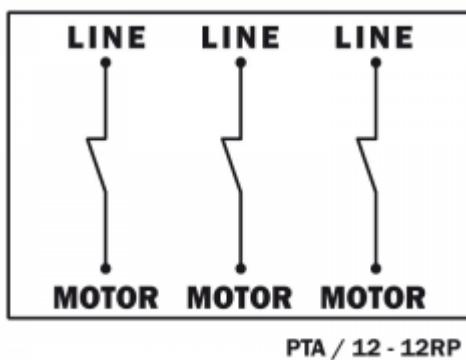
DRAWINGS



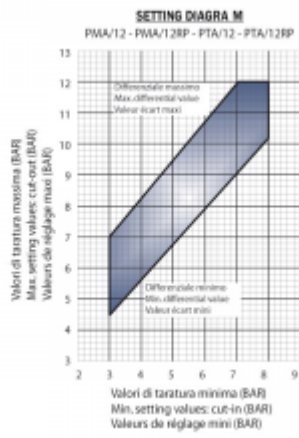
Dimensions PMA/12



Contacts arrangement PMA



Contacts arrangement PTA



Setting diagram



Any unauthorized reproduction or distribution of this document is forbidden. Italtecnica reserves the right to bring without notice any modification on technical data described in the present document. Italtecnica is not liable for any possible mistakes or omissions of the content.